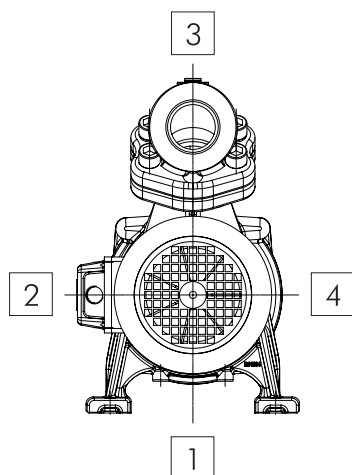


Mechanical Features



Horizontal End-Suction Pumps – Terminal box and foot location

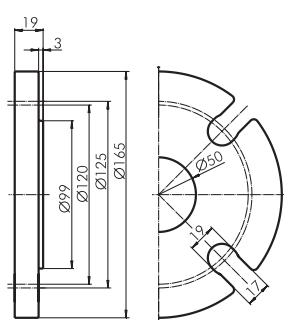


Location	Series SBA, SBG and SBF	
	Terminal box location	Foot location
1	–	Standard
2	Standard	●
3	□	–
4	●	●

- available
- available upon request
- not available

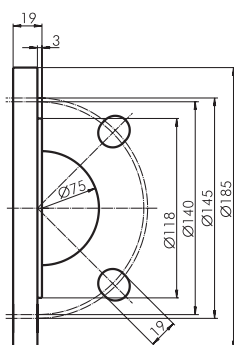
Attention:
Terminal box location and foot location cannot be facing in the same direction!

Horizontal End-Suction Pumps – Suction port



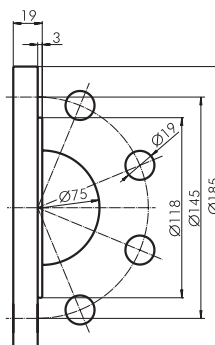
DN50, 4 hole flange connection
size 140

DN50, 4 hole flange connection,
is equivalent to ASME B16.1-
2005 Class 25 Flange NPS 2 and
JIS B 2239:2004 10K A50

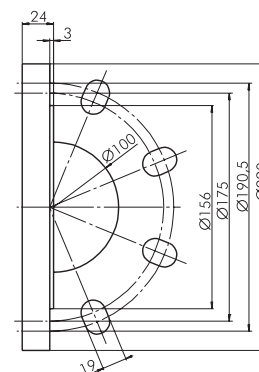


DN65, 4 hole flange connection
sizes 400, 550, 600
sizes 650, 850, 1150, 800, 900,
1300

DN65, 4 hole flange connection,
is equivalent to ASME B16.1-
2005 Class 25 Flange NPS 2 1/2
and JIS B 2239:2004 10K A65

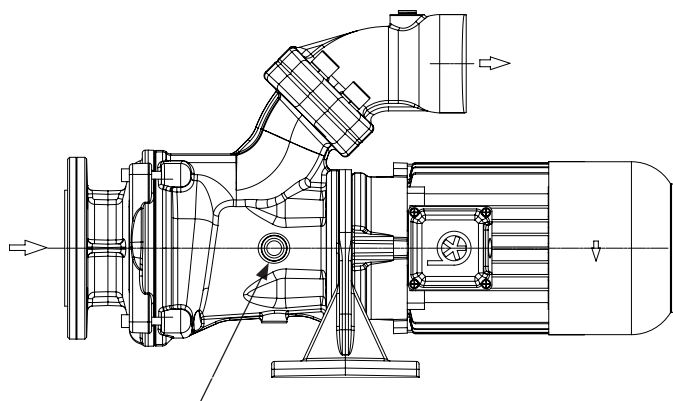


DN65, 8 hole flange connection
sizes 850, 1150, 1100, 1300
Available upon request



DN100, 8 hole flange connection
sizes 1350, 1550, 1850
sizes 1600, 1700, 2000

Dry-running Version (-GD)



Monitoring window for models
with second mechanical seal (-GD)

For single-stage pumps, a second mechanical seal is available for unlimited dry-running. By utilizing an additional oil reservoir, continuous lubrication of the mechanical seal can be assured, which in turn allows dry-running of the pump.

The oil level within the reservoir can be monitored through an integrated monitoring window.