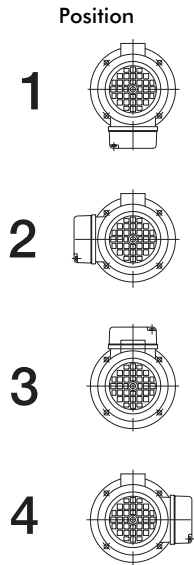


Technical Information

Mechanical Features

Terminal Box Position

Position 1 is the standard design for immersion pumps, position 2 for suction pumps, and position 3 for miniature centrifugal pumps.



If a non-standard position is required, please give details when ordering.

Motor overhead view

Terminal box opposite to discharge port.
Immersion pump standard version.

Terminal box on the left of the discharge port.
Suction pump standard version.

Terminal box on the discharge port side.
Miniature centrifugal pump standard version.

Terminal box on the right of the discharge port.

Paintwork

Standard black 9011
On request green 6011 no extra charge
Others extra charge

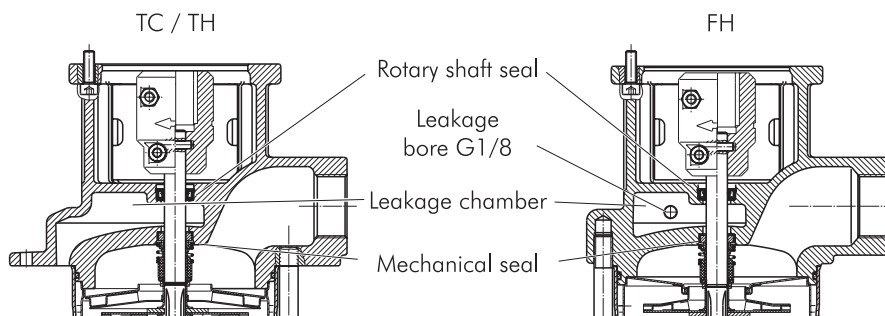
Immersion-depth extension

Immersion depths of the TC and TH pumps can be extended by dummy stages to any immersion depth available in the series without having to change the electrical and hydraulic power.

Example: The pumping rate of the TC63S350 pump is required at an immersion depth of 29.72 inch (750 mm).

Solution: TC63S350 – 750

Leakage chamber / Leakage connections

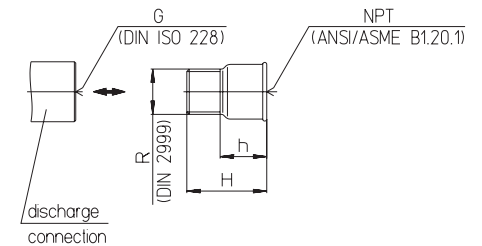


Small leaks flow back through the leakage chamber into the tank without reaching the outside.

By connecting a leakage line it is possible to return minor leaks back into the tank.

Pipe / discharge connection

Pipe / discharge connection threads G are made according to DIN ISO 228. Optional adaptors to threads NPT can be ordered at additional charge according to the following dimensions:



Discharge Inch	H Inch	h Inch
1/2	1.7	1.02
3/4	1.9	1.14
1	2.1	1.26
1 1/4	2.3	1.38
1 1/2	2.5	1.50
2	2.7	1.62
2 1/2	2.9	1.74

G (DIN ISO 228) parallel internal thread
R (DIN 2999) tapered outside thread
NPT (ANSI/ASME B1.20.1) tapered internal thread